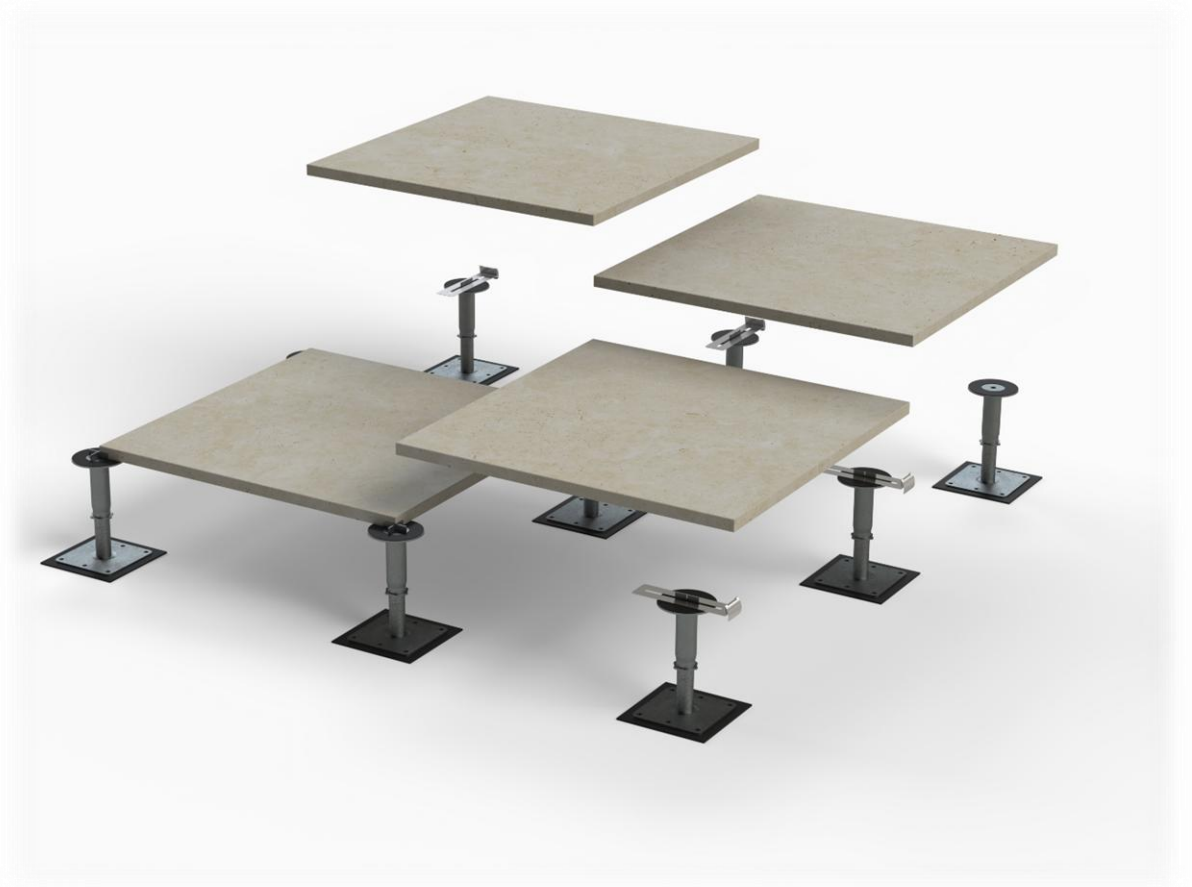


TerraSmart Pedestal Paving System

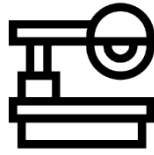
The principles in this guide apply to 4 ranges of adjustable pedestals - see key on page 3

Version 1.25



Equipment

Porcelain bridge saw



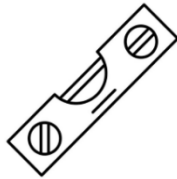
Tape measure

Measure twice, cut once



Level

Rotating laser level plus a standard level are recommended



Ball ended hex key

Available from Ryno



Site PPE

Adhere to all relevant site regulations



Pedestal Identification



RP-FR Non-Combustible Fixed Head Adjustable Paving Support Pedestal



RPA-FR Non-Combustible Self-Levelling Paving Support Pedestal



RPF Fixed Head Adjustable Paving Support Pedestal



RPA Self-Levelling Adjustable Paving Support Pedestal

General Notes

- On delivery, all products should be inspected. If there are any issues, please report them immediately and do not commence installation
- Some schemes require a 10mm gap around perimeter edge of area
- Safe working practise should be observed at all times during the installation process and all necessary
- Cutting porcelain should be carried out using a water and dust suppressed diamond tipped power saw
- Personal Protective Equipment (PPE) should be worn
- Always use the correct PPE throughout installation

Installation Guidance

1. Determine the desired slab layout:
 - a. Full slab starting in the corner of the area with cut slabs at the end
 - b. Full slab starting in the centre of the area with cut slabs around the perimeter
2. Remove spacer tabs on the edge pedestals as required:
 - a. All 4 spacer tabs for corner support. **Fig A.**
 - b. Two aligning spacer tabs for edge support. **Fig B.**

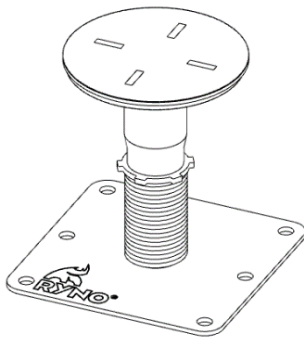


Fig A.

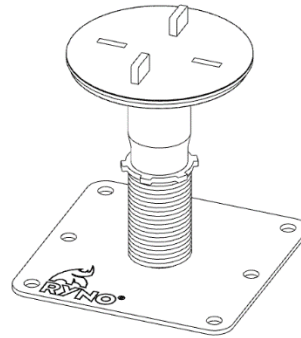


Fig B.

Note: Conventional plastic pedestal tabs feature a snap off design; Non-combustible pedestal tabs can simply be cut off or bent down using a nail punch.

3. Place head rubber shockpads on top of pedestals if using them.

4. Place the first 4 pedestals in the desired area. When positioning pedestals along the perimeter of an area, ensure edge spring clips are used to create uniform spacing along these edges. **Fig C.**

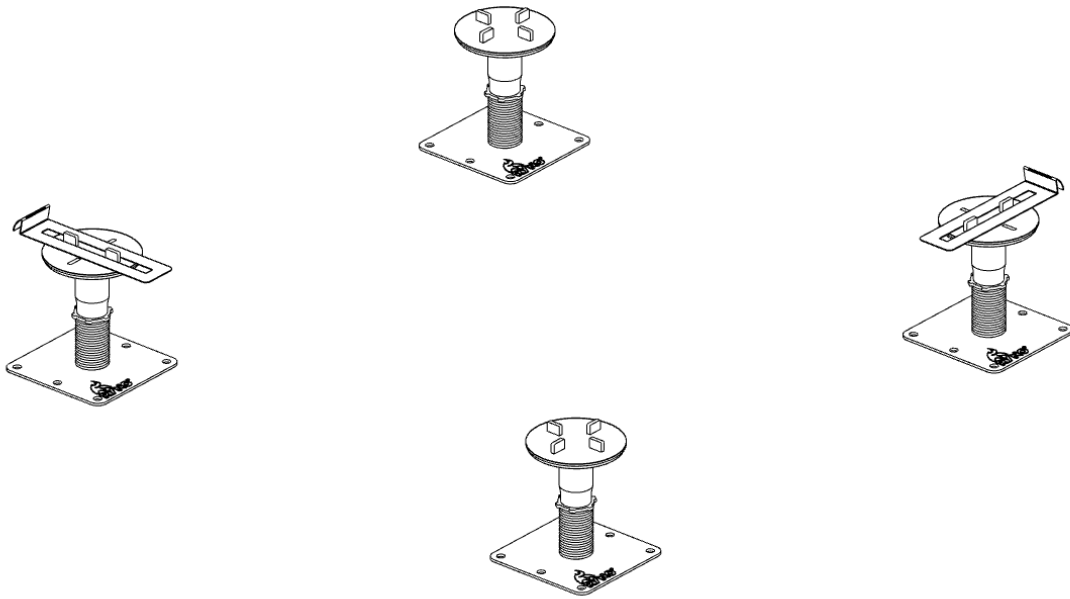


Fig C

5. Lay slab on top of pedestals. Set the height of the slab and pedestals by placing a spirit level diagonally on the slab and twisting the pedestal upper shaft clockwise (down) or anti-clockwise (up). **Fig D.**

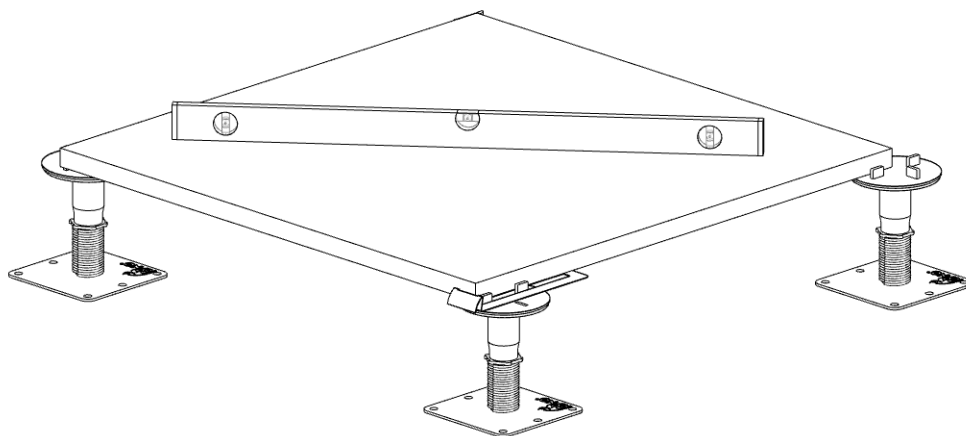


Fig D

Note: If using the RPA-FR Non-combustible self-levelling pedestal, ensure you tighten the head locking washer with a ball head hex key to lock the angle before moving to the next row of pedestals. **Fig E.**

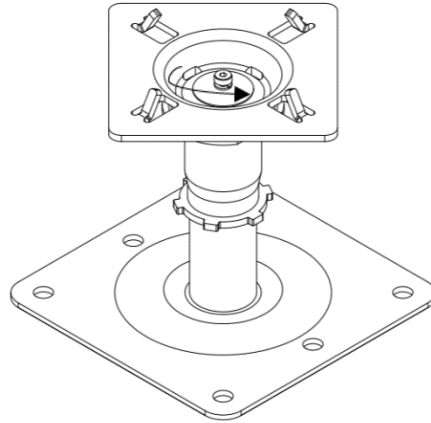


Fig E

Note: If using RP-FR or RPA-FR Non-combustible pedestals, ensure you also tighten the locking nut to lock the pedestal height. **Fig F.**

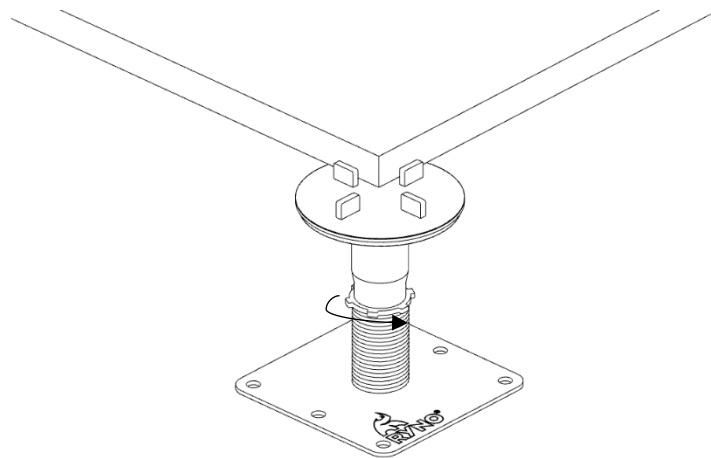


Fig F

6. Position the next set of pedestals in place and lay slab on top. **Fig G.**

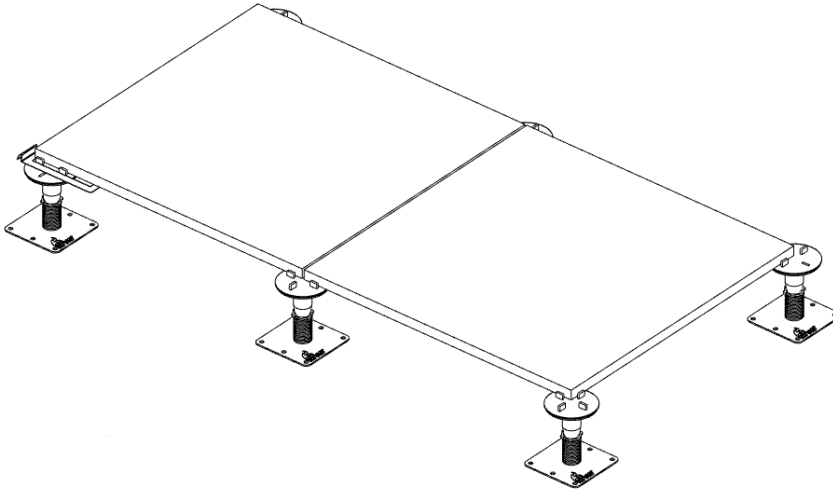


Fig G

7. Level the slab with the previous by using a spirit level and raising/lowering the pedestals as described in point 5. If necessary, you can make minor adjustments to finished surface level by adding sections of head rubber shockpads beneath the tiles. **Fig H.**

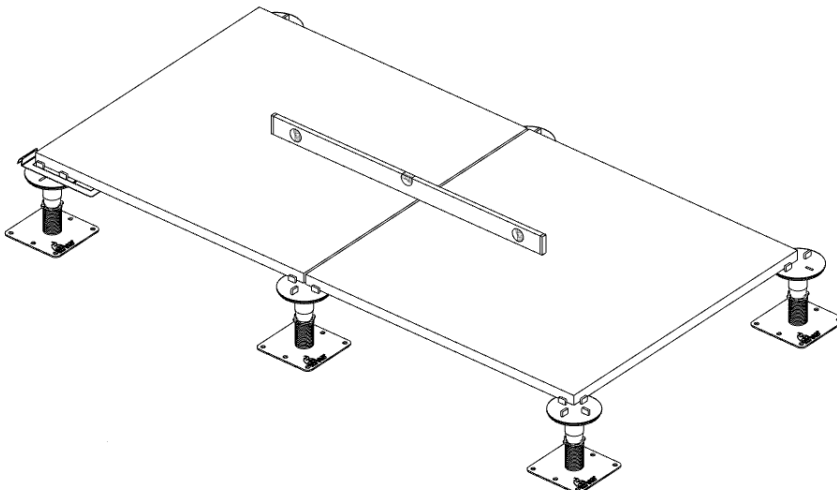
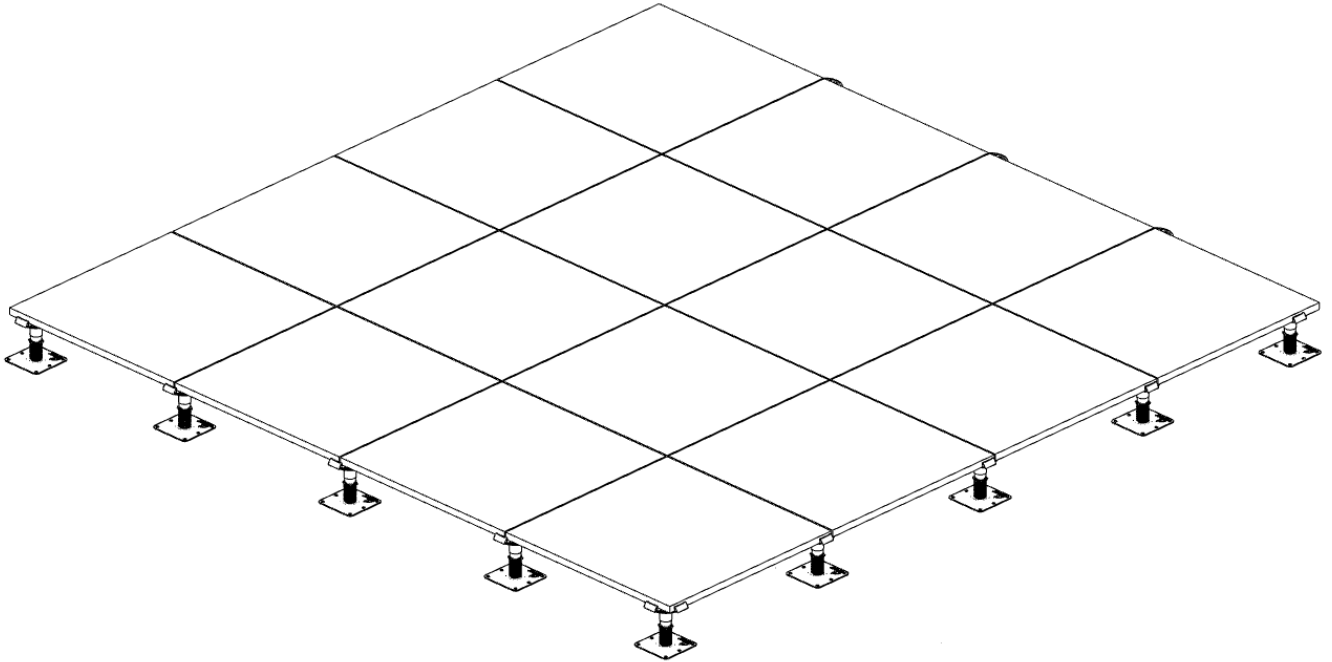


Fig H

8. Repeat steps 5-7 until the area is completed.



Contact us

Head office

Castlepoint
Castle Way
Ellon
AB41 9RG

The Studio

2 Sutton Lane
Off Clerkenwell Road
London
EC1M 5PU

Telephone:

+44 (0)203 9673500

Email:

enquiries@rynosystems.com